

LHT CC1 5001 HEAD LIGHT WIRING

Instructions for Club Car DS Models



BUGGIES
UNLIMITED

This Light Kit includes:

- (1) Main Wire Harness with Dual In-Line Fuses
- (1) Headlight Switch
- (1) Left hand headlight
- (1) Right hand headlight
- (1) Brake light Wire Harness (for use with optional brake light switch)
- (16) Mounting screws (includes extras)
- (6) Tie Straps
- (1) Wiring Instructions with Templates

WEAR SAFETY GLASSES OR APPROPRIATE EYE PROTECTION

Begin by removing the seat and disconnect the battery and or battery pack. If your cart has a Run/Tow Switch, place the switch in the "Tow" position before disconnecting the battery pack.

1) Cut out the headlight templates included (part A & B) and assemble the halves. Place the template onto the right (passenger) side of the front body and align the top edge of the template with the raised body line on the front of your car. Take your time and ensure the template is lined up correctly, then mark the headlight area (to be cut out of the front body) using a marker. For the left (driver) side of the cart, flip the right headlight template over and reuse it on the opposite side. Again, take your time and ensure the template is lined up correctly, then mark the headlight area to be cut out using a marker.

2) Now you can use a Dremel or similar rotary type tool with a spiral saw blade or the Buggies Unlimited headlight/taillight Cutter Tool (TLSUNV6024 sold separately) for cutting out the headlight openings in the front body.

3) After the holes are cut, mount the head light assemblies and double check they are square and even with one another **BEFORE** drilling the mounting screw holes in the body. Use 1/8" drill bit, then secure the assemblies using the Phillips head screws supplied.

NOTE: 48-volt DS Model golf carts require a 16 to 12-volt reducer (BU # ELEUNVLRD) or a 48 to 12 volt converter (BU # ELEML48-12K).

WIRE & HARNESS INSTALLATION:

1) Remove the seat assembly. Inside the battery compartment or engine compartment, locate the carts main wiring harness. Route the new light kit harness along the side of the cart's main wire harness to the front and rear of the cart. While installing the harness, make sure it does not catch or chafe on sharp edges or rest too closely to moving parts.

2) After the routing is complete, use the cable ties included in this kit to secure the light harness to the frame or existing main harness. Mount the light switch in the dash (Figure 1 & 2) using a 1/2" drill bit. For a tighter fit a 3/16" bit will work for the light switch hole.

3) Make sure when connecting the harness to the lights the correct wiring colors correspond to each other. Notice the left hand (driver's side) headlight will have a yellow wire; this should match up with the harness yellow wire. The right hand (passenger's side) will match up to the green wire. They will be mounted with the corresponding colors as well. Left hand (driver's side) will be yellow and right hand (passenger's side) will be green. Taillight, turn signal and brake light circuit wires are included with the harness should you choose at a later date to install them.



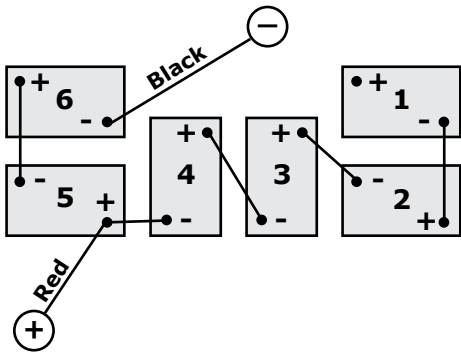
Figure 1



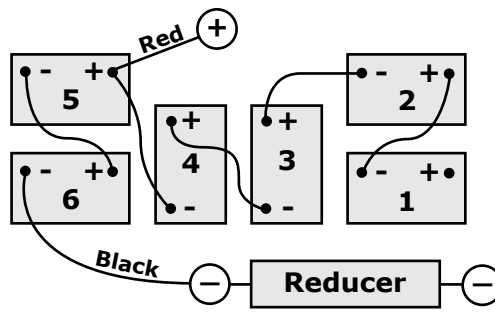
Figure 2

Buggies Unlimited
1-888-444-9994
www.buggiesunlimited.com

Club Car DS Model 36-Volt Battery Pack

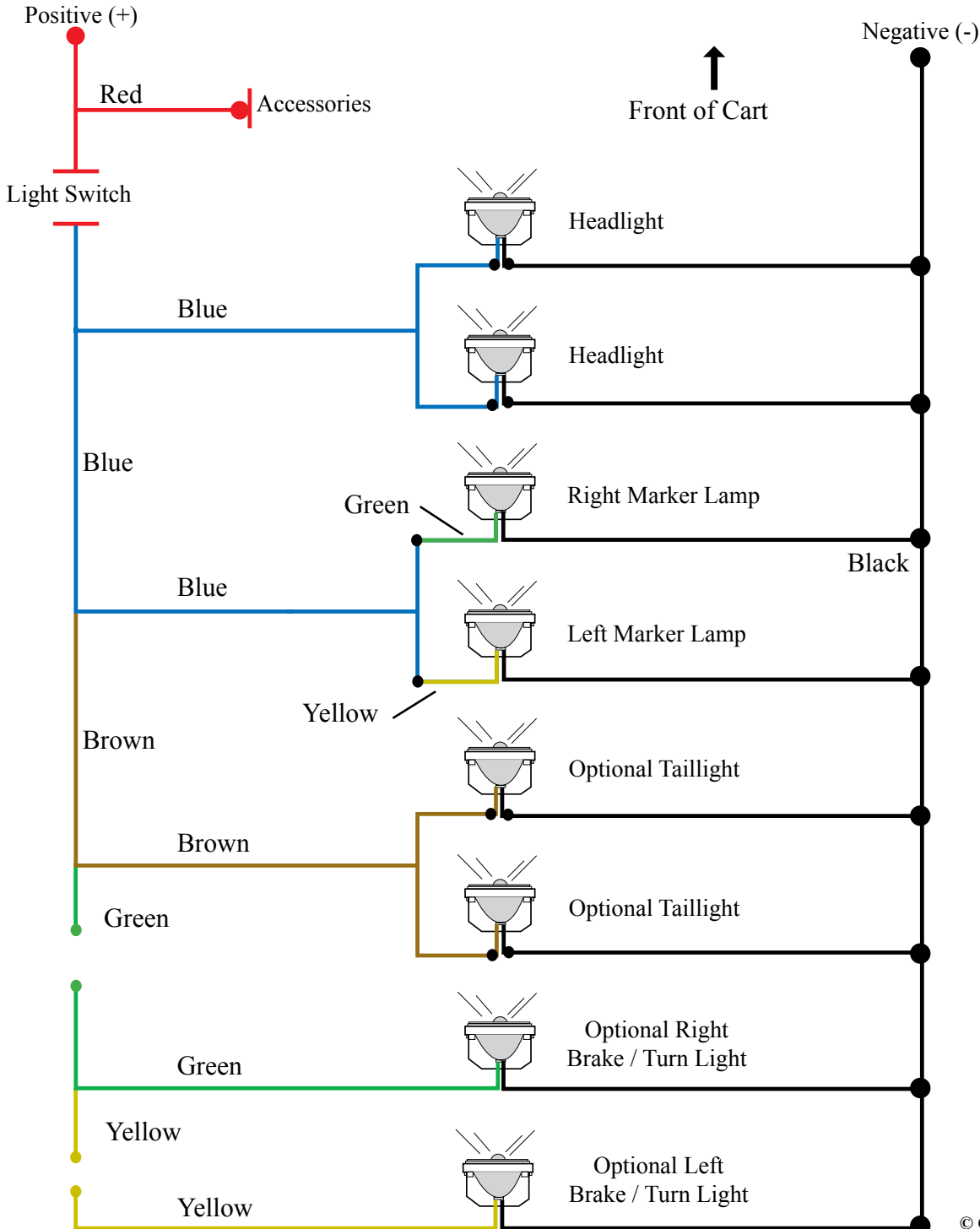
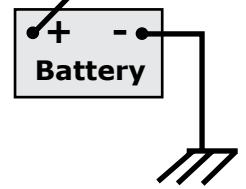


Club Car DS Model 48-Volt Battery Pack



Club Car DS Model 12-Volt Gas

Positive (+)



Purple
Red

Brake Light Jumper for use with Brake Light and Turn Signal ONLY



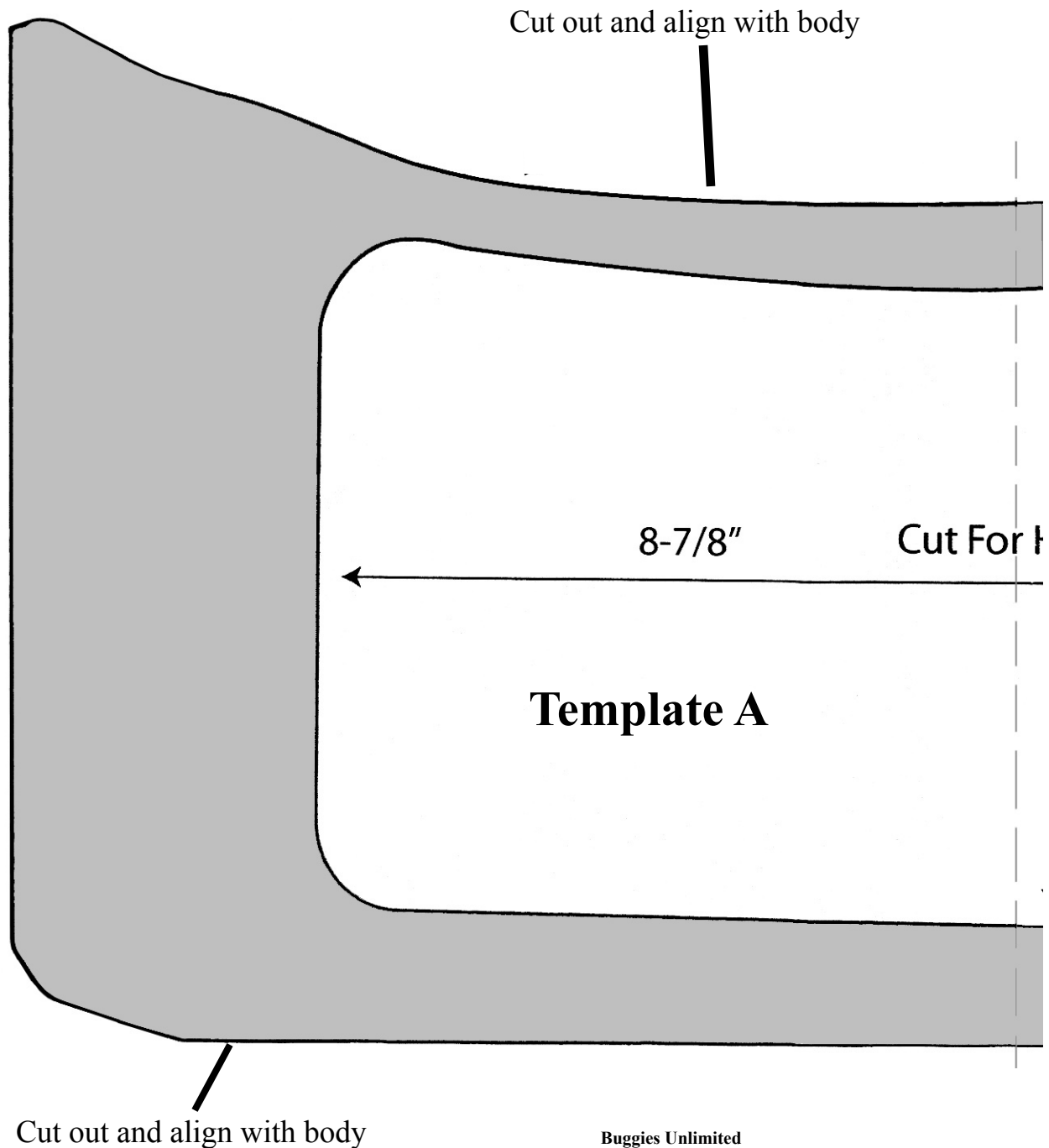
NOTE: Blue and orange Jumper leads for marker lamps will be removed for turn signal/brake light system.

Buggies Unlimited
1-888-444-9994
www.buggiesunlimited.com

HEADLIGHT TEMPLATES



Cut out headlight templates part "A" and "B", then cut along dotted line, then match up the two halves. Tape them together securely, then cut out the center portion for use in marking your front body. Once you have used this template to mark the location of your right (passenger side) headlight, it can be turned over and the back side used to mark the left (driver side)



Buggies Unlimited
1-888-444-9994
www.buggiesunlimited.com

